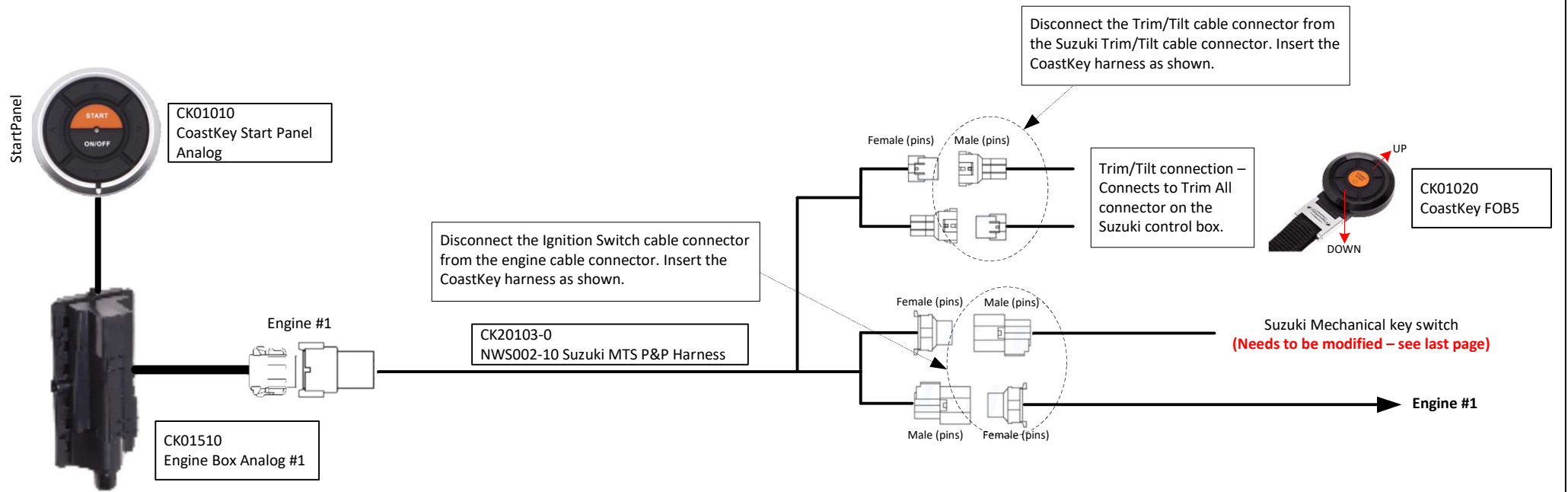
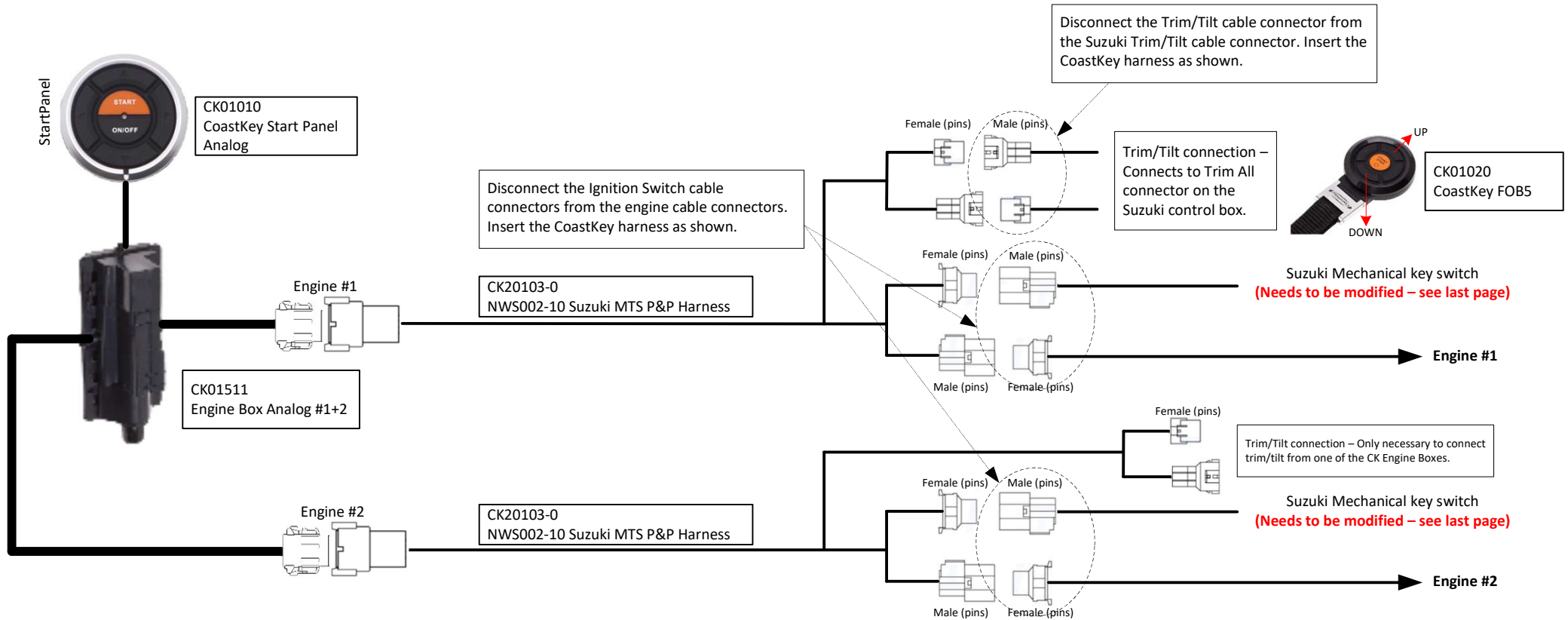


HEADING	
Title:	CoastKey Suzuki MTS Installation
Doc. Nr:	NWS021-31
Author:	Pål Sørensen
Issue date:	16-04-2020

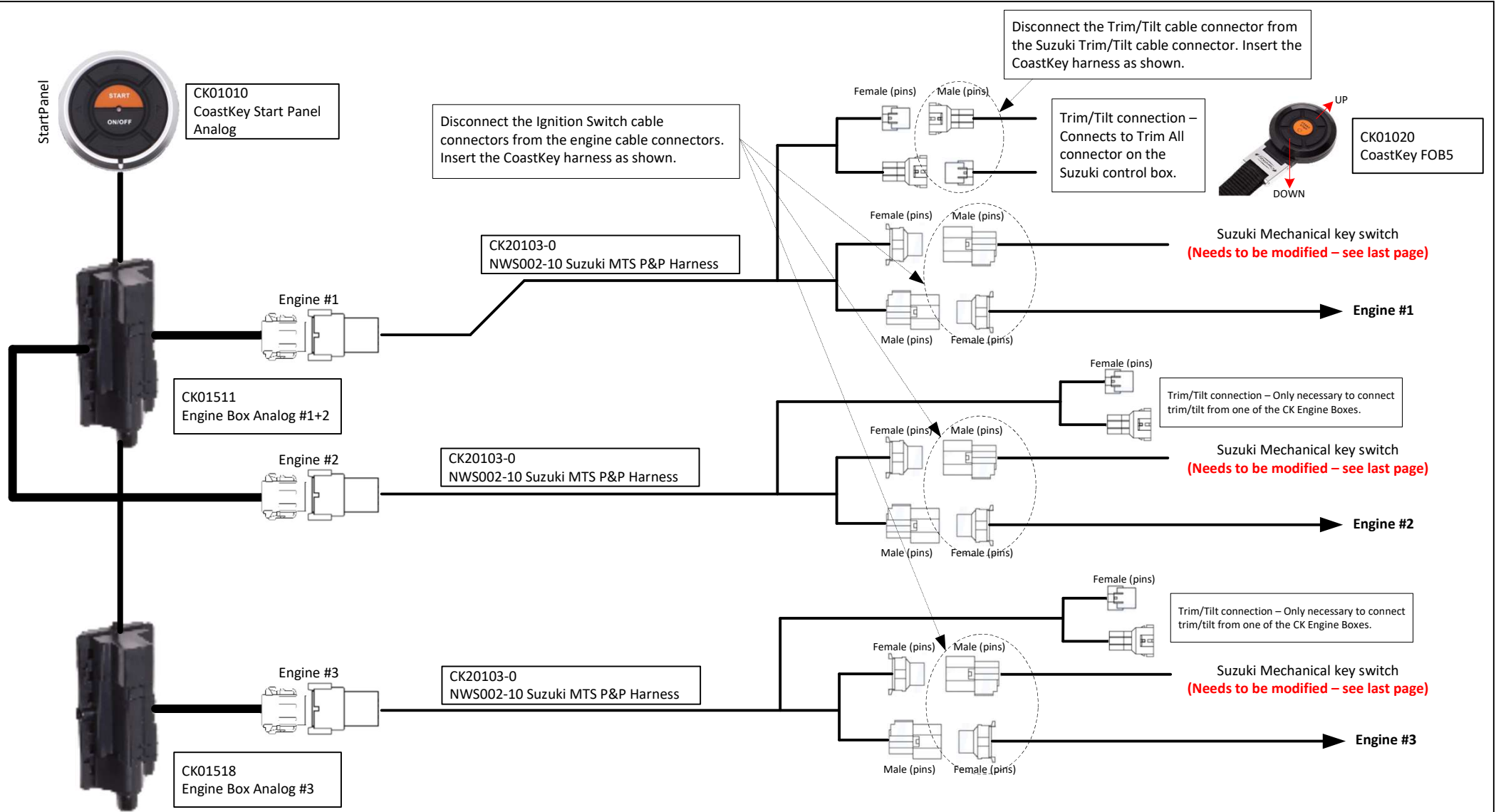
HISTORY				
Issue number	Date	Version	Owner	Approved by
1	16-04-2020	A	Pål Sørensen	
2				
3				



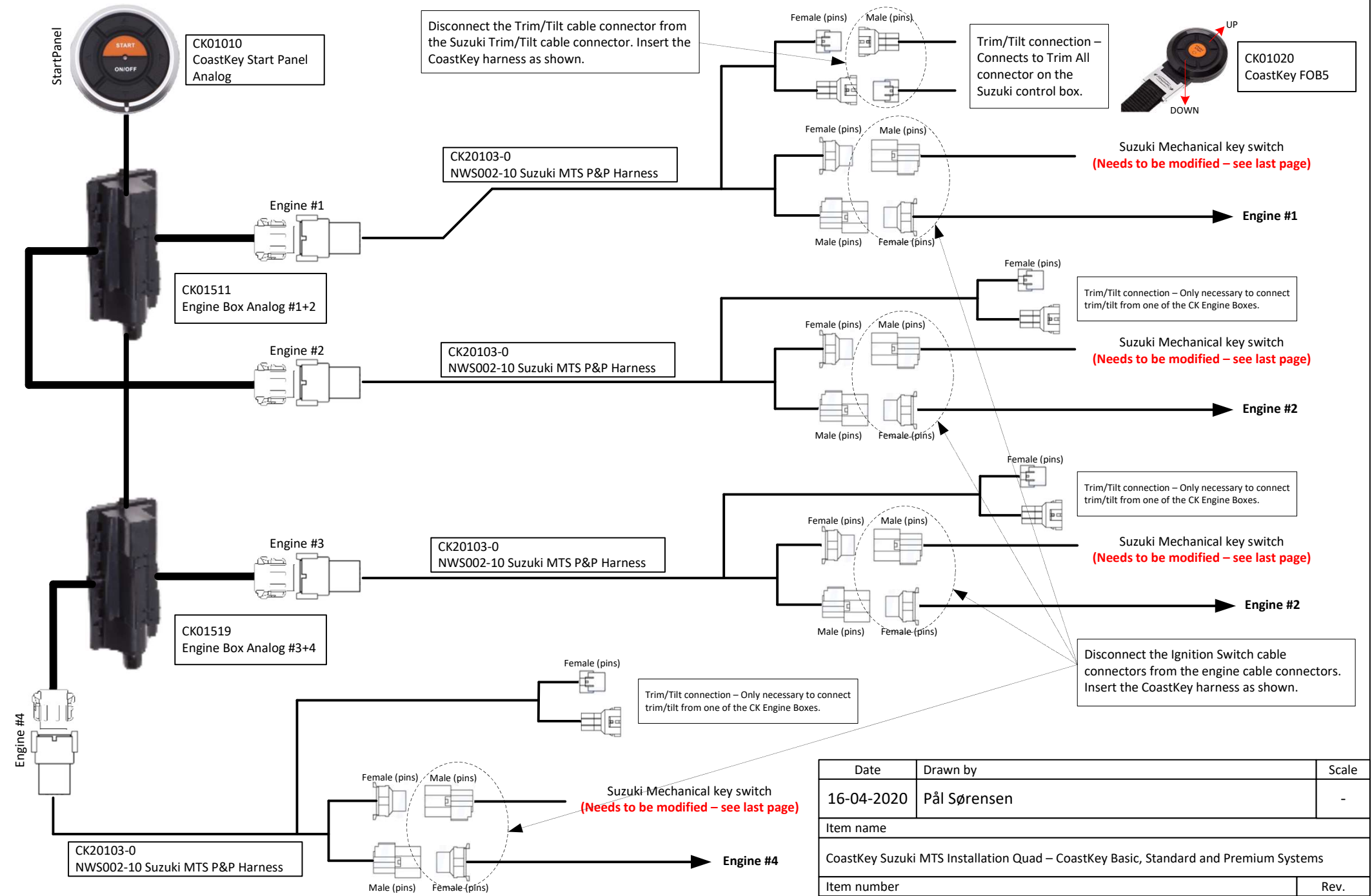
Date	Drawn by	Scale
16-04-2020	Pål Sørensen	-
Item name		
CoastKey Suzuki MTS Installation Single – CoastKey Basic, Standard and Premium Systems		
Item number		Rev.
NWS021-31		A



Date	Drawn by	Scale
16-04-2020	Pål Sørensen	-
Item name		
CoastKey Suzuki MTS Installation Twin – CoastKey Basic, Standard and Premium Systems		
Item number		Rev.
NWS021-31		A



Date	Drawn by	Scale
16-04-2020	Pål Sørensen	-
Item name		
CoastKey Suzuki MTS Installation Triple – CoastKey Basic, Standard and Premium Systems		
Item number		Rev.
NWS021-31		A



Date	Drawn by	Scale
16-04-2020	Pål Sørensen	-
Item name		
CoastKey Suzuki MTS Installation Quad – CoastKey Basic, Standard and Premium Systems		
Item number		Rev.
NWS021-31		A

Suzuki Ignition Key Switch Modification

Key switch with two green wires



Figure 1

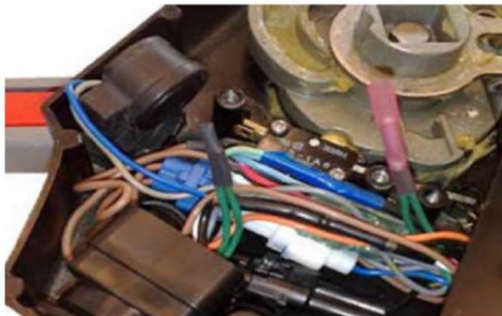


Figure 2

Key switch with one green wire



NOTE!

If the key switch is being used, find the green wire(s) from the ignition switch. It is either one green that ends in a split or two green wires.

One green wire:

Cut this between key switch and the split. Isolate the ends.

Two green wires:

Cut both of these, 3 cm from the key switch (fig.1). Splice the two ends together that go to the engine. Isolate or splice the two ends that go into the key switch (fig.2).

Date	Drawn by	Scale
16-04-2020	Pål Sørensen	-
Item name		
Suzuki Ignition Switch Modification – CoastKey Basic, Standard and Premium System		
Item number		Rev.
NWS021-31		A